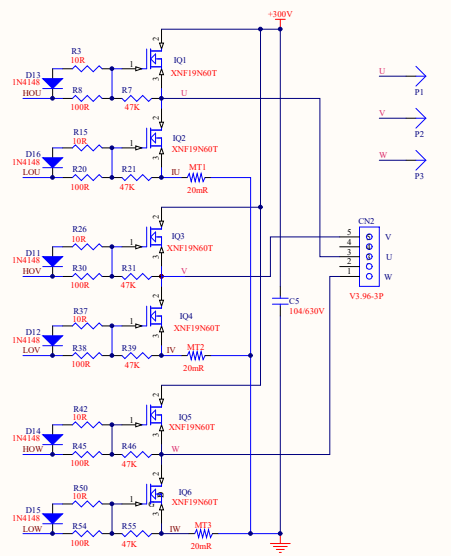
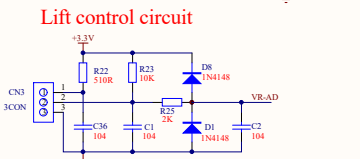


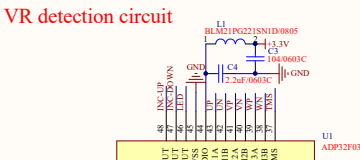
Switching Mode Power Supply



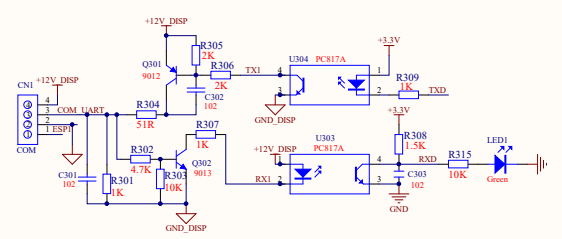
MOTOR DRIVE



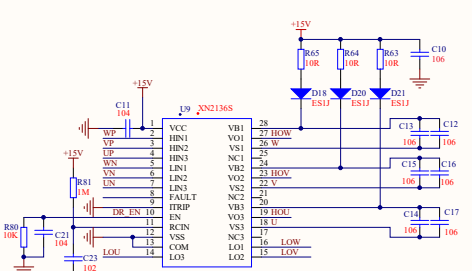
Lift control circuit



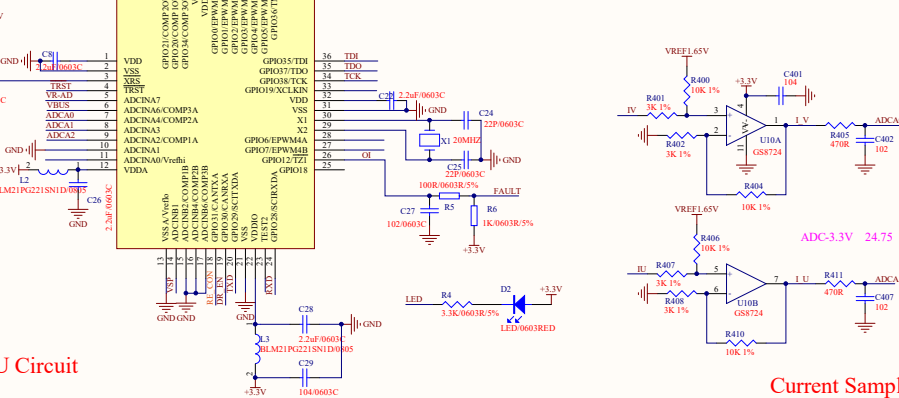
VR detection circuit



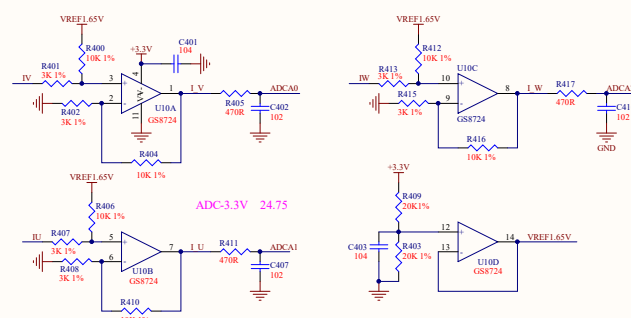
Serial Communication



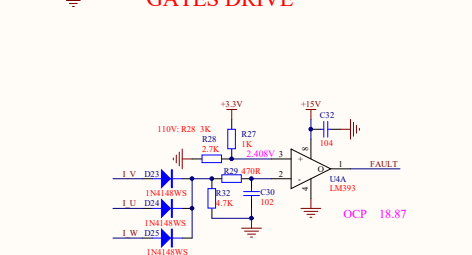
GATES DRIVE



MCU Circuit



Current Sampling



OCP Circuit

Title		
Size	Number	Revision
A2		
Date:	2023/12/28	Sheet 1 of 1
File:	E:\035B-PAORJUE-DEMO-V1\035B-PAORJUE-DEMO-V1	